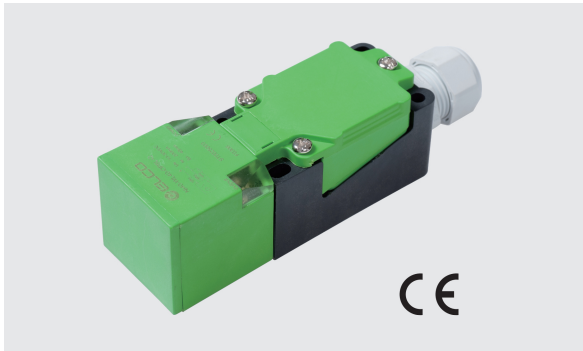


<< Inductive Sensor

Plastic Rectangular-WL40



Description:

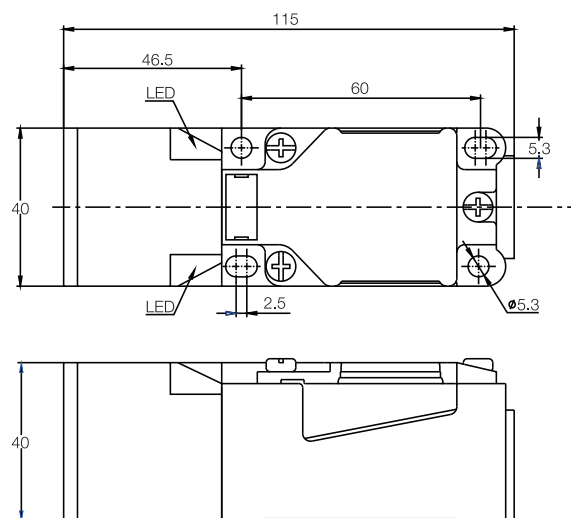
Plastic housing, rectangular 40x40x118mm, DC 2-wire output, wide voltage range, IP67 protection class, power and action LED indicator.

Technical Data:

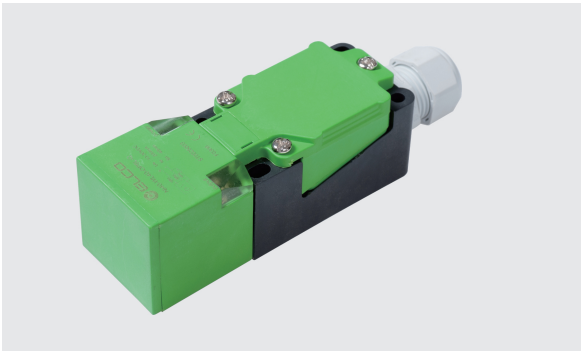
Type	Rated Operating Distance S_n	Mounting	Output	Voltage Range U_B	Rated Current	Switching Frequency	Ambient Temperature	Connection	Fig
Fi15-WL40-OD6L-Q	15mm	Flush	NO DC	10...30VDC	$\leq 100\text{mA}$	150Hz	-25...70°C	Terminal	Fig.1
Ni20-WL40-OD6L-Q	20mm	Non-flush	NO DC	10...30VDC	$\leq 100\text{mA}$	150Hz	-25...70°C	Terminal	Fig.1
Fi15-WL40-CD6L-Q	15mm	Flush	NC DC	10...30VDC	$\leq 100\text{mA}$	150Hz	-25...70°C	Terminal	Fig.1
Ni20-WL40-CD6L-Q	20mm	Non-flush	NC DC	10...30VDC	$\leq 100\text{mA}$	150Hz	-25...70°C	Terminal	Fig.1
Fi15-WL40-OD9L-Q	15mm	Flush	NO DC	10...60VDC	$\leq 100\text{mA}$	150Hz	-25...70°C	Terminal	Fig.1
Ni20-WL40-OD9L-Q	20mm	Non-flush	NO DC	10...60VDC	$\leq 100\text{mA}$	150Hz	-25...70°C	Terminal	Fig.1
Fi15-WL40-CD9L-Q	15mm	Flush	NC DC	10...60VDC	$\leq 100\text{mA}$	150Hz	-25...70°C	Terminal	Fig.1
Ni20-WL40-CD9L-Q	20mm	Non-flush	NC DC	10...60VDC	$\leq 100\text{mA}$	150Hz	-25...70°C	Terminal	Fig.1

Dimensions:

Fig.1



Plastic Rectangular-WL40



Description:

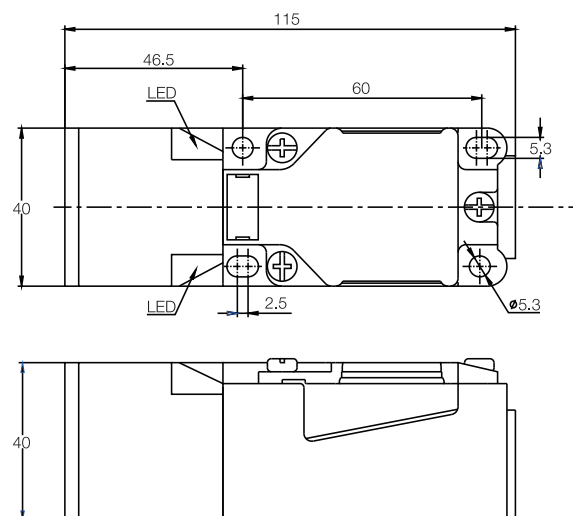
Plastic housing, rectangular 40x40x118mm, DC 3/4-wire output, IP67 protection class, power and action LED indicator.

Technical Data:

Type	Rated Operating Distance S_n	Mounting	Output	Voltage Range U_B	Rated Current	Switching Frequency	Ambient Temperature	Connection	Fig
Fi15-WL40-ON6L-Q	15mm	Flush	NO NPN	10...30VDC	$\leq 200\text{mA}$	150Hz	-25...70°C	Terminal	Fig.1
Fi15-WL40-CN6L-Q	15mm	Flush	NC NPN	10...30VDC	$\leq 200\text{mA}$	150Hz	-25...70°C	Terminal	Fig.1
Fi15-WL40-BN6L-Q	15mm	Flush	NO+NC NPN	10...30VDC	$\leq 200\text{mA}$	150Hz	-25...70°C	Terminal	Fig.1
Fi15-WL40-OP6L-Q	15mm	Flush	NO PNP	10...30VDC	$\leq 200\text{mA}$	150Hz	-25...70°C	Terminal	Fig.1
Fi15-WL40-CP6L-Q	15mm	Flush	NC PNP	10...30VDC	$\leq 200\text{mA}$	150Hz	-25...70°C	Terminal	Fig.1
Fi15-WL40-BP6L-Q	15mm	Flush	NO+NC PNP	10...30VDC	$\leq 200\text{mA}$	150Hz	-25...70°C	Terminal	Fig.1
Ni20-WL40-ON6L-Q	20mm	Non-flush	NO NPN	10...30VDC	$\leq 200\text{mA}$	150Hz	-25...70°C	Terminal	Fig.1
Ni20-WL40-CN6L-Q	20mm	Non-flush	NC NPN	10...30VDC	$\leq 200\text{mA}$	150Hz	-25...70°C	Terminal	Fig.1
Ni20-WL40-BN6L-Q	20mm	Non-flush	NO+NC NPN	10...30VDC	$\leq 200\text{mA}$	150Hz	-25...70°C	Terminal	Fig.1
Ni20-WL40-OP6L-Q	20mm	Non-flush	NO PNP	10...30VDC	$\leq 200\text{mA}$	150Hz	-25...70°C	Terminal	Fig.1
Ni20-WL40-CP6L-Q	20mm	Non-flush	NC PNP	10...30VDC	$\leq 200\text{mA}$	150Hz	-25...70°C	Terminal	Fig.1
Ni20-WL40-BP6L-Q	20mm	Non-flush	NO+NC PNP	10...30VDC	$\leq 200\text{mA}$	150Hz	-25...70°C	Terminal	Fig.1

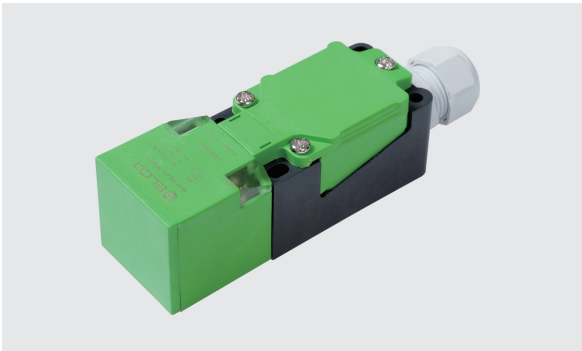
Dimensions:

Fig.1



<< Inductive Sensor

Plastic Rectangular-WL40



Description:

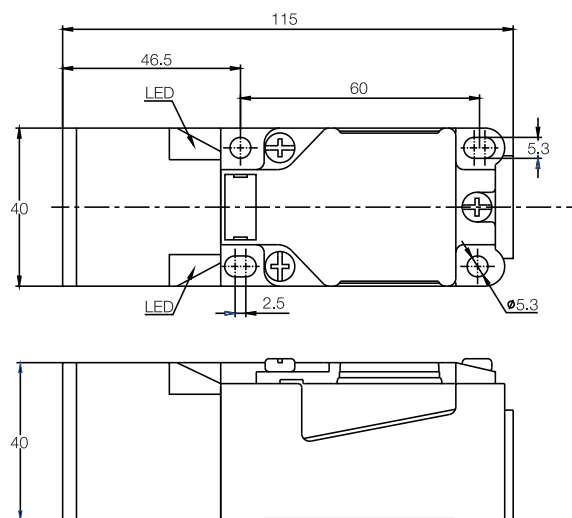
Plastic housing, rectangular 40x40x118mm, DC 3/4-wire output, IP67 protection class, power and action LED indicator.

Technical Data:

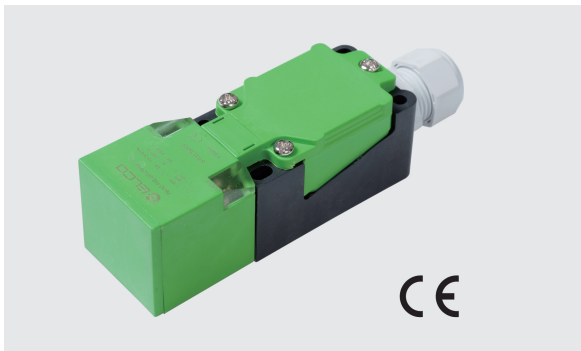
Type	Rated Operating Distance S_n	Mounting	Output	Voltage Range U_n	Rated Current	Switching Frequency	Ambient Temperature	Connection	Fig
Fi15-WL40-OA41L-Q	15mm	Flush	NO DC/AC	20...250VAC/DC	DC≤100mA/AC≤200mA	20Hz	-25...70°C	Terminal	Fig.1
Ni20-WL40-CA41L-Q	20mm	Non-flush	NC DC/AC	20...250VAC/DC	DC≤100mA/AC≤200mA	20Hz	-25...70°C	Terminal	Fig.1
Fi15-WL40-VA41L-Q	15mm	Flush	NO/NC DC/AC	20...250VAC/DC	DC≤100mA/AC≤200mA	20Hz	-25...70°C	Terminal	Fig.1
Ni20-WL40-VA41L-Q	20mm	Non-flush	NO/NC DC/AC	20...250VAC/DC	DC≤100mA/AC≤200mA	20Hz	-25...70°C	Terminal	Fig.1

Dimensions:

Fig.1



Plastic Rectangular-WL40



Description:

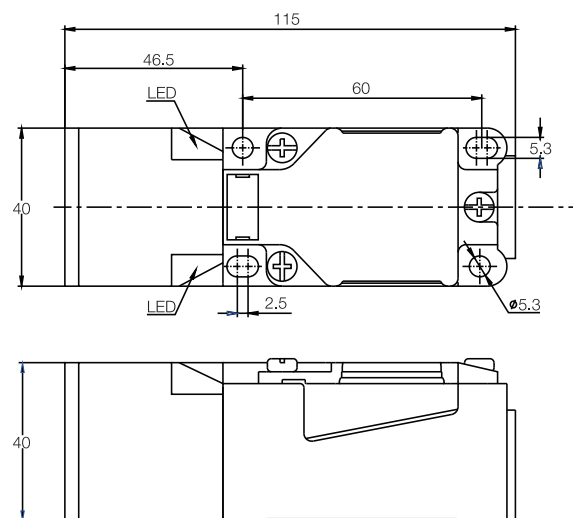
Plastic housing, rectangular 40x40x118mm, long - sensing distance, DC 2-wire output, wide voltage range, IP67 protection class, power and action LED indicator.

Technical Data:

Type	Rated Operating Distance S_n	Mounting	Output	Voltage Range U_B	Rated Current	Switching Frequency	Ambient Temperature	Connection	Fig
Fi25-WL40-OD6L-Q	25mm	Flush	NO DC	10...30VDC	$\leq 100\text{mA}$	100Hz	-25...70°C	Terminal	Fig.1
Ni40-WL40-OD6L-Q	40mm	Non-flush	NO DC	10...30VDC	$\leq 100\text{mA}$	50Hz	-25...70°C	Terminal	Fig.1
Fi25-WL40-CD6L-Q	25mm	Flush	NC DC	10...30VDC	$\leq 100\text{mA}$	100Hz	-25...70°C	Terminal	Fig.1
Ni40-WL40-CD6L-Q	40mm	Non-flush	NC DC	10...30VDC	$\leq 100\text{mA}$	50Hz	-25...70°C	Terminal	Fig.1
Fi25-WL40-OD9L-Q	25mm	Flush	NO DC	10...60VDC	$\leq 100\text{mA}$	100Hz	-25...70°C	Terminal	Fig.1
Ni40-WL40-OD9L-Q	40mm	Non-flush	NO DC	10...60VDC	$\leq 100\text{mA}$	50Hz	-25...70°C	Terminal	Fig.1
Fi25-WL40-CD9L-Q	25mm	Flush	NC DC	10...60VDC	$\leq 100\text{mA}$	100Hz	-25...70°C	Terminal	Fig.1
Ni40-WL40-CD9L-Q	40mm	Non-flush	NC DC	10...60VDC	$\leq 100\text{mA}$	50Hz	-25...70°C	Terminal	Fig.1

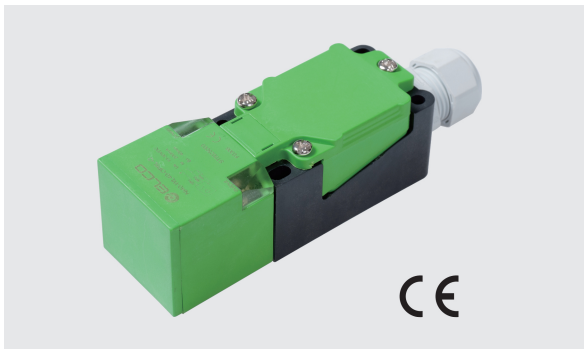
Dimensions:

Fig.1



<< Inductive Sensor

Plastic Rectangular-WL40



Description:

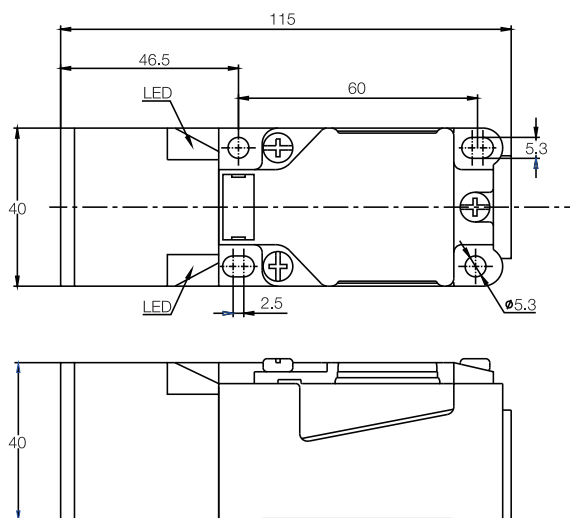
Plastic housing, rectangular 40x40x118mm, long - sensing distance, DC 3/4-wire output, IP67 protection class, power and action LED indicator.

Technical Data:

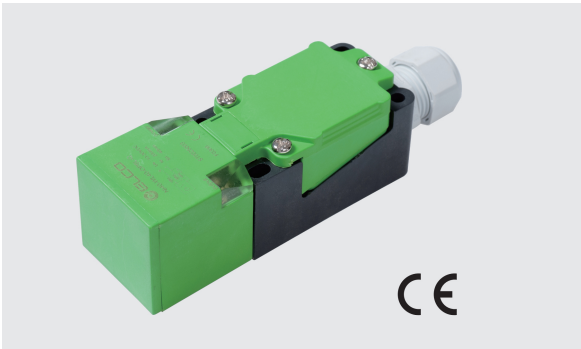
Type	Rated Operating Distance S_n	Mounting	Output	Voltage Range U_s	Rated Current	Switching Frequency	Ambient Temperature	Connection	Fig
Fi25-WL40-ON6L-Q	25mm	Flush	NO NPN	10...30VDC	$\leq 200\text{mA}$	100Hz	-25...70°C	Terminal	Fig.1
Fi25-WL40-CN6L-Q	25mm	Flush	NC NPN	10...30VDC	$\leq 200\text{mA}$	100Hz	-25...70°C	Terminal	Fig.1
Fi25-WL40-BN6L-Q	25mm	Flush	NO+NC NPN	10...30VDC	$\leq 200\text{mA}$	100Hz	-25...70°C	Terminal	Fig.1
Fi25-WL40-OP6L-Q	25mm	Flush	NO PNP	10...30VDC	$\leq 200\text{mA}$	100Hz	-25...70°C	Terminal	Fig.1
Fi25-WL40-CP6L-Q	25mm	Flush	NC PNP	10...30VDC	$\leq 200\text{mA}$	100Hz	-25...70°C	Terminal	Fig.1
Fi25-WL40-BP6L-Q	25mm	Flush	NO+NC PNP	10...30VDC	$\leq 200\text{mA}$	100Hz	-25...70°C	Terminal	Fig.1
Ni40-WL40-ON6L-Q	40mm	Non-flush	NO NPN	10...30VDC	$\leq 200\text{mA}$	50Hz	-25...70°C	Terminal	Fig.1
Ni40-WL40-CN6L-Q	40mm	Non-flush	NC NPN	10...30VDC	$\leq 200\text{mA}$	50Hz	-25...70°C	Terminal	Fig.1
Ni40-WL40-BN6L-Q	40mm	Non-flush	NO+NC NPN	10...30VDC	$\leq 200\text{mA}$	50Hz	-25...70°C	Terminal	Fig.1
Ni40-WL40-OP6L-Q	40mm	Non-flush	NO PNP	10...30VDC	$\leq 200\text{mA}$	50Hz	-25...70°C	Terminal	Fig.1
Ni40-WL40-CP6L-Q	40mm	Non-flush	NC PNP	10...30VDC	$\leq 200\text{mA}$	50Hz	-25...70°C	Terminal	Fig.1
Ni40-WL40-BP6L-Q	40mm	Non-flush	NO+NC PNP	10...30VDC	$\leq 200\text{mA}$	50Hz	-25...70°C	Terminal	Fig.1

Dimensions:

Fig.1



Plastic Rectangular-WL40



Description:

Plastic housing, rectangular 40x40x118mm, long - sensing distance, AC/DC 2-wire output, IP67 protection class, power and action LED indicator.

Technical Data:

Type	Rated Operating Distance S_n	Mounting	Output	Voltage Range U_b	Rated Current	Switching Frequency	Ambient Temperature	Connection	Fig
F125-WL40-OA41L-Q	25mm	Flush	NO DC/AC	20...250VAC/DC	DC≤100mA/AC≤200mA	20Hz	-25...70°C	Terminal	Fig.1
Ni40-WL40-CA41L-Q	40mm	Non-flush	NC DC/AC	20...250VAC/DC	DC≤100mA/AC≤200mA	20Hz	-25...70°C	Terminal	Fig.1
F125-WL40-VA41L-Q	25mm	Flush	NO/NC DC/AC	20...250VAC/DC	DC≤100mA/AC≤200mA	20Hz	-25...70°C	Terminal	Fig.1
Ni40-WL40-VA41L-Q	40mm	Non-flush	NO/NC DC/AC	20...250VAC/DC	DC≤100mA/AC≤200mA	20Hz	-25...70°C	Terminal	Fig.1

Dimensions:

Fig.1

